



# Roof Outlet

## Roof outlet for drainage of flat roofs

### PRODUCT DESCRIPTION

Garland Roof outlets are provided with high performance SBS modified roofing membrane which is welded at the point of manufacture.

Performance and dimensions have been tested and approved by TÜV to EN 1253.

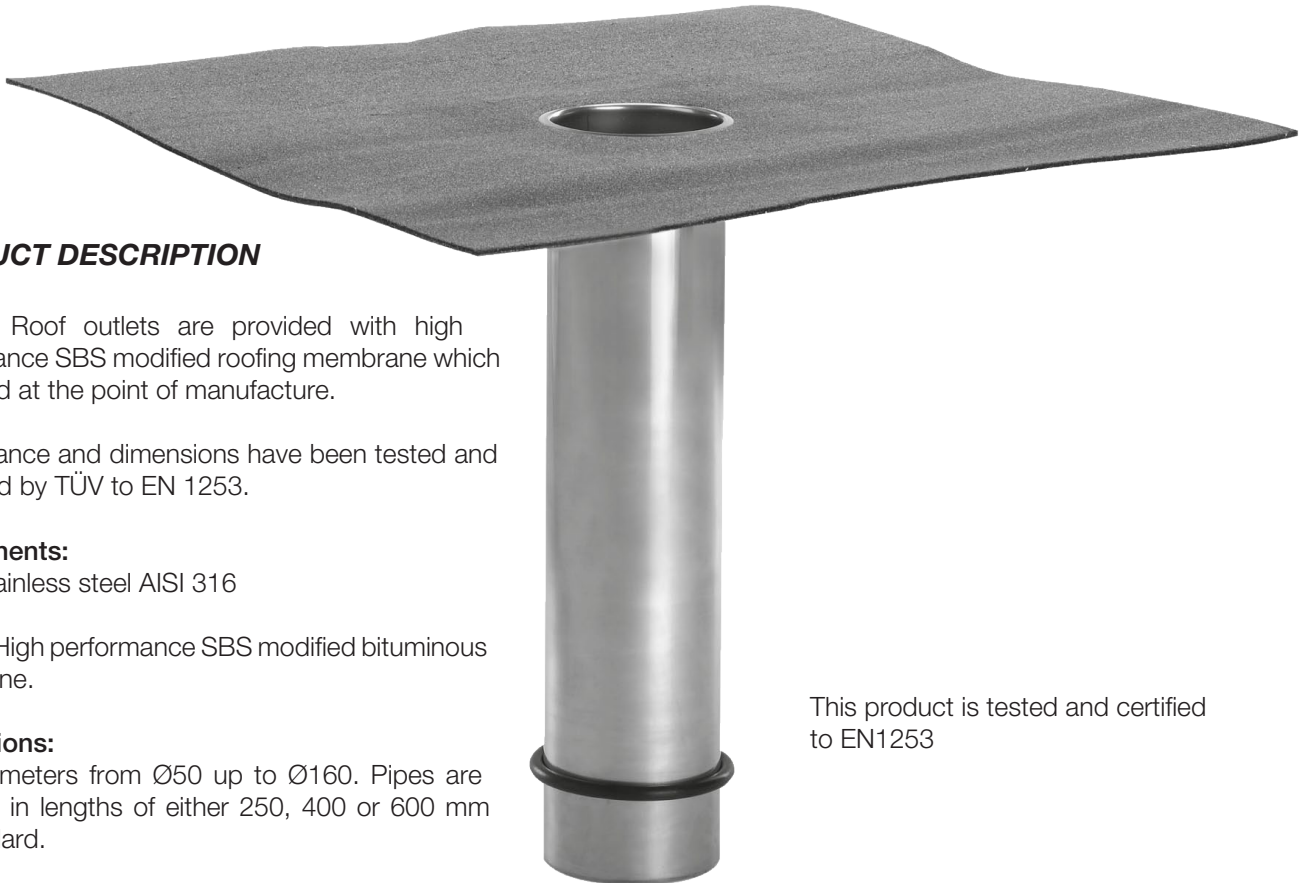
#### Components:

Pipe: Stainless steel AISI 316

Flange: High performance SBS modified bituminous membrane.

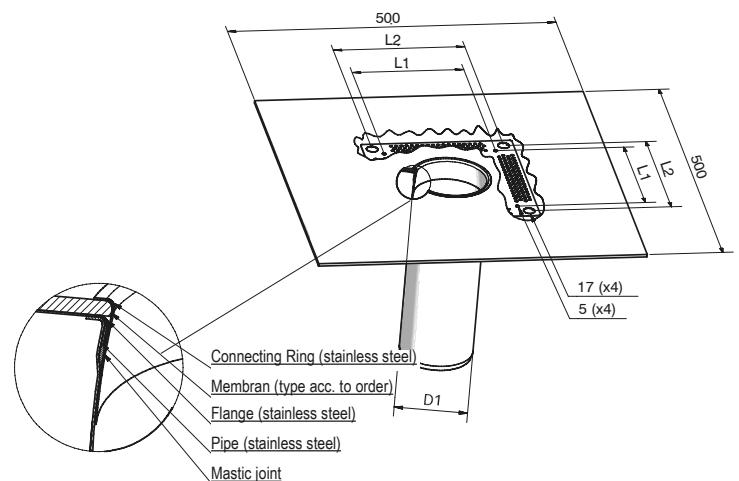
#### Dimensions:

Pipe diameters from Ø50 up to Ø160. Pipes are supplied in lengths of either 250, 400 or 600 mm as standard.



This product is tested and certified to EN1253

TYPE	Ø mm	250mm pipe	400 mm pipe	600 mm pipe
Garland Outlet	50	✓	✓	✓
Garland Outlet	63	✓	✓	✓
Garland Outlet	75	✓	✓	✓
Garland Outlet	90	✓	✓	✓
Garland Outlet	110	✓	✓	✓
Garland Outlet	125	✓	✓	✓
Garland Outlet	145	✓	✓	✓
Garland Outlet	160	✓	✓	✓



# Roof Outlet

## TECHNICAL DATA

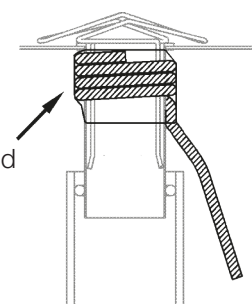
Pipe Diameter (outside)	Used for
50 mm	ø50 mm socket ø63 mm socket
63 mm	ø75 mm insertion
75 mm	ø75 mm socket ø90 mm insertion
90 mm	ø90 mm socket ø110 mm insertion
110 mm	ø110 mm socket ø25 mm insertion
125 mm	ø125 mm socket ø145 mm insertion
145 mm	ø160 mm insertion
160 mm	ø160 mm socket
Packaging	10 pcs. per. box

## GENERAL INFORMATION

The Garland bitumen/steel roof outlet is produced to EN1253 with requirements from EN1124. These standards set the present requirements for the series production of roof outlets and stainless steel pipes as well as the requirements for the structural design.

For specific application recommendations, please contact your regional Garland Technical Manager or the Garland Technical Department.

For all Garland roof outlets, Garland offers a 220VAC heating cable solution.



## STAINLESS STEEL PIPE

The pipe for the Garland roof outlet is manufactured in an acid proof stainless steel quality AISI316.

The pipe is available in the standard lengths 250 mm, 400 mm and 600 mm.

## O-RING

The O-ring made of EPDM-rubber.

## FLOW CAPACITY

The draining capacity depends on the leafgrate.



For more information - visit us at [www.garlandukltd.co.uk](http://www.garlandukltd.co.uk)

## The Garland Company UK Limited

Unit 5, Glevum Works, Upton Street  
Gloucester, United Kingdom GL1 4LA  
Phone: 01452 330 646  
Fax: 01452 330 657  
Toll Free: 0800 328 5560

*Tests verified by independent laboratories. Actual roof performance specifications will vary depending on test speed and temperature. Data reflects samples randomly collected. A ± 10% variation may be experienced. The above data supersedes all previously published information. Consult your Garland Regional Technical Manager or the Garland Technical Department for more information.*

© 2012 The Garland Company UK Limited

R-OUT 1012