



Soil Vent

Roof soil vent for the ventilation of flat roofs

PRODUCT DESCRIPTION

The Garland soil vent pipe is used for the flashing of soil pipes which penetrate the roof construction and the roofing membrane. The soil vent pipe is a systematic and secure solution that provides both a watertight flashing of the roofing membrane and an airtight extension of the soil pipe above the roof. The Garland Soil Vent Pipe is supplied with SBS modified flashing on which different bituminous membranes can be welded.

Components:

Pipe: Stainless steel

Sliding Piece: Stainless steel

Flange: High performance SBS modified bituminous membrane.

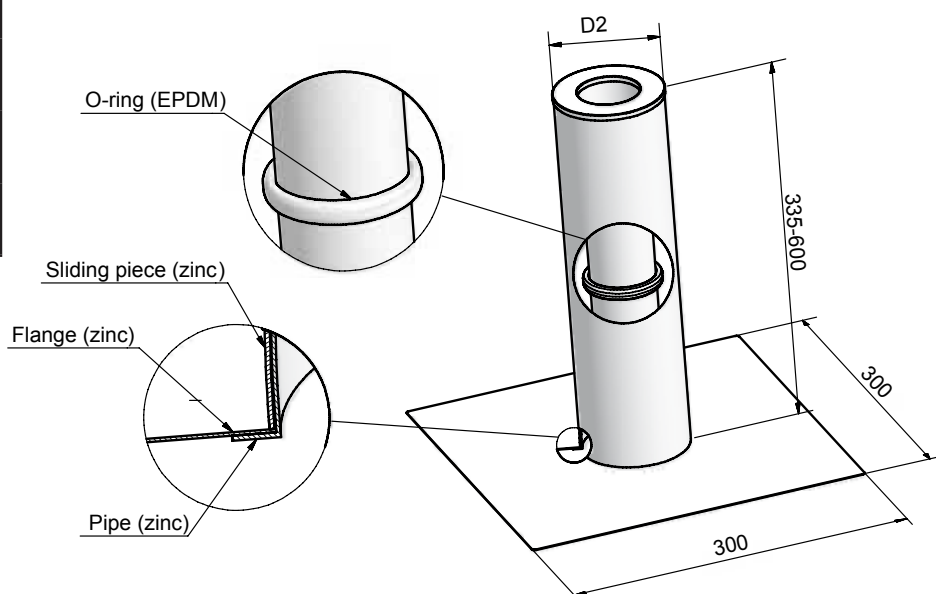
O-Ring: EPDM Rubber

Dimensions:

Pipe diameters to fit from Ø50 up to Ø110



TYPE	Fit to Ø mm	Size
Garland soil vent	Ø 50	50mm
Garland soil vent	Ø 75	63mm
Garland soil vent	Ø 90	75mm
Garland soil vent	Ø 110	90mm



Soil Vent

TECHNICAL DATA

TYPE	Fit to Ø mm	D1	D2	O-Ring
Garland soil vent	Ø 50	50mm	90mm	40 x 5mm
Garland soil vent	Ø 75	63mm	90mm	63 x 6mm
Garland soil vent	Ø 90	75mm	110mm	75 x 5mm
Garland soil vent	Ø 110	90mm	125mm	90 x 8mm

GENERAL INFORMATION

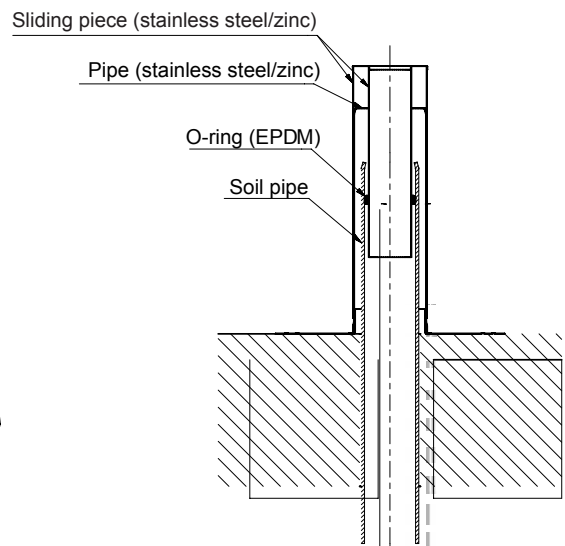
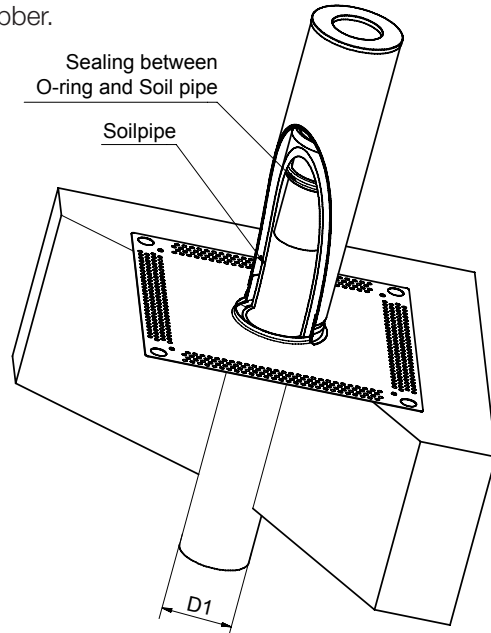
For specific application recommendations, please contact your regional Garland Technical Manager or the Garland Technical Department

STAINLESS STEEL PIPE

The pipe for the Garland soil vent is manufactured in an acid proof stainless steel quality AISI316.

O-RING

The O-ring made of EPDM-rubber.



For more information - visit us at www.garlandukltd.co.uk

The Garland Company UK Limited

Unit 5, Glevum Works, Upton Street
 Gloucester, United Kingdom GL1 4LA
 Phone: 01452 330 646
 Fax: 01452 330 657
 Toll Free: 0800 328 5560

Tests verified by independent laboratories. Actual roof performance specifications will vary depending on test speed and temperature. Data reflects samples randomly collected. A ± 10% variation may be experienced. The above data supersedes all previously published information. Consult your Garland Regional Technical Manager or the Garland Technical Department for more information.

© 2013 The Garland Company UK Limited

SOIL-VENT 0313