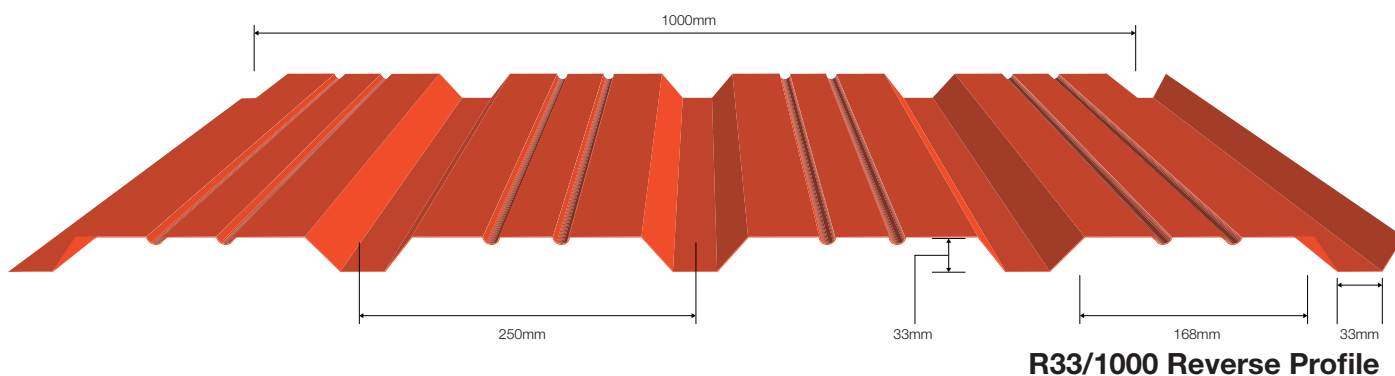




R-Mer Clad

R33/1000 Reverse Profile



PRODUCT DESCRIPTION

The R-Mer Clad R33/1000 Reverse are economical roof profiles manufactured from pre-finished steel coil. The 1000mm cover width ensures easy on-site handling.

The profile will provide a weatherproof membrane for vertical wall cladding applications.

FINISHES

R-Mer Clad R33/1000 Reverse is available in a comprehensive range of colours in HP200 Plastisol and Polyester on galvanised steel grade Z125N. The profile is available in 0.55mm gauge steel.

FIXING

R-Mer Clad R33/1000 Reverse is easy to fix and should be secured using self-drilling screws through every corrugation.

For specific application recommendations, please contact your regional Garland Technical Manager or the Garland Technical Department.

FIRE PROPERTIES

Manufactured from steel, the R-Mer Clad R33/1000 Reverse is designated as AA to BS-476 Part 3 and deemed to satisfy provisions of The Building Regulations 1985 Approved Document B, Appendix A, Table A4 Part II.

R-Mer Clad R33/1000 reverse membranes are also designated as Class 0 to The Building Regulations by virtue of tests to BS-476 Part 6 combined with a Class 1 surface spread of flame to BS-476 Part 7.

ACCESSORIES

A full range of accessories including flashings, trims, gutters, fixings, louvres, ridge vents and soakers, GRP translucent roof lights in either single or double skin are also available on request.

For specific design recommendations, please contact your regional Garland Technical Manager for on-site advice.

R-Mer Clad

R33/1000 Reverse Profile

Dimension Details	R-Mer Clad R33/1000 Reverse
Cover Width	1,000mm
Profile Pitch	250mm
Profile Depth	33mm
Crown Width	33mm
Valley Width	168mm
Weight (0.55mm)	5.6 kg/m ²

For specific application recommendations, please contact your regional Garland Technical Manager or the Garland Technical Department.

R33/1000 Reverse Load/Span Tables - working load UDL (kN/m²)

Span Condition	Thickness	Load Type	Span (m)							
			1.4m	1.6m	1.8m	2.0m	2.2m	2.4m	2.6m	2.8m
Single Span	0.55mm	PRESSURE	1.64	1.26	0.99	0.76	0.57	0.44	0.34	0.27
	0.55mm	SUCTION	1.79	1.37	1.08	0.88	0.72	0.61	0.52	0.42
Double Span	0.55mm	PRESSURE	1.79	1.37	1.08	0.88	0.72	0.61	0.52	0.44
	0.55mm	SUCTION	1.43	1.16	0.96	0.80	0.66	0.56	0.47	0.41
Multi Span	0.55mm	PRESSURE	2.24	1.71	1.35	1.10	0.90	0.76	0.65	0.56
	0.55mm	SUCTION	1.72	1.39	1.16	0.97	0.83	0.70	0.59	0.51



For more information - visit us at www.garlandukltd.co.uk

The Garland Company UK, Ltd.
 Unit 5, Glevum Works, Upton Street
 Gloucester, United Kingdom GL1 4LA
 FAX: 01452 330 657
 Phone: 01452 330 646
 Toll Free: 0800 328 5560

Tests verified by independent laboratories. The above data supersedes all previously published information. Consult your Garland Regional Technical Manager or the Garland Technical Department for more information.

© 2011 The Garland Company UK, Ltd.