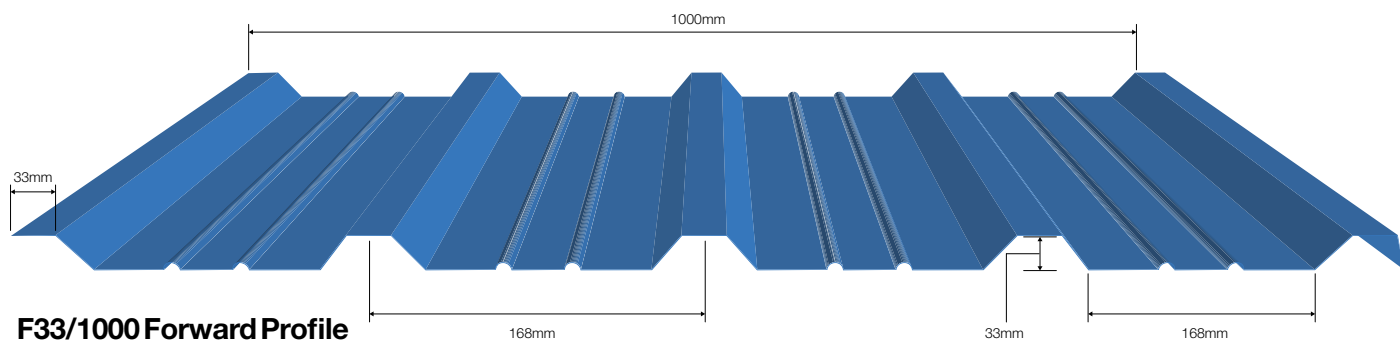


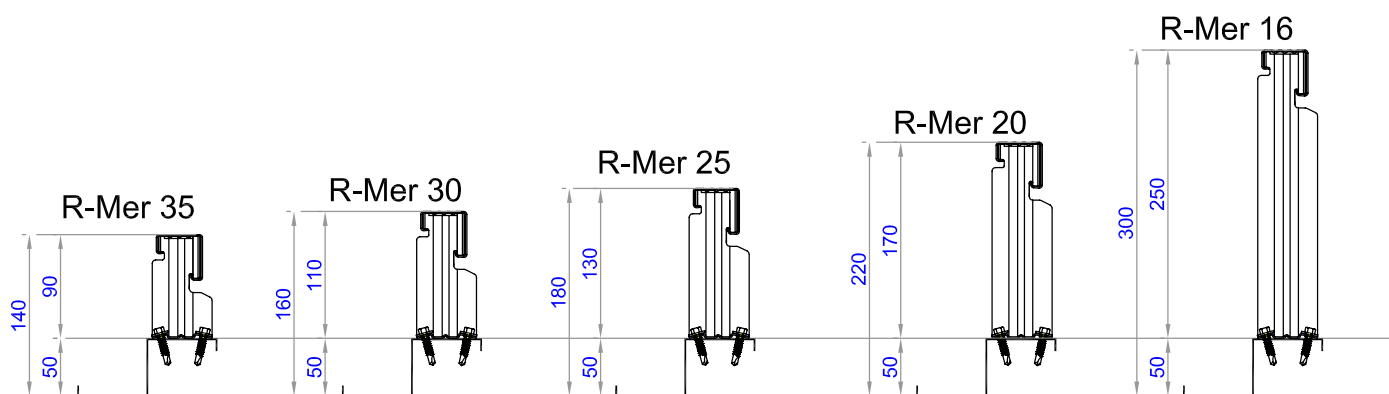


R-Mer Clad

Systems Reference



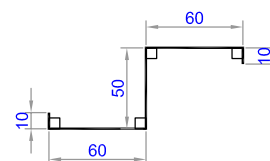
F33/1000 Forward Profile



R-Mer Clad System Reference

System Reference	R-Mer Zed	Bracket Depth	Insulation Thickness	Insulation Value	System Depth	U-Value W/m ² °k
R-Mer 16	50mm	250mm	300mm	0.040λ	335mm	0.16
R-Mer 20	50mm	180mm	220mm	0.040λ	215mm	0.20
R-Mer 25	50mm	130mm	180mm	0.040λ	205mm	0.25
R-Mer 30	50mm	110mm	160mm	0.040λ	195mm	0.30
R-Mer 35	50mm	90mm	140mm	0.040λ	175mm	0.35

R-Mer Zed Dimensions



For more information - visit us at www.garlandukltd.co.uk

The Garland Company UK, Ltd.

Unit 5, Glevum Works, Upton Street
 Gloucester, United Kingdom GL1 4LA
 FAX: 01452 330 657
 Phone: 01452 330 646
 Toll Free: 0800 328 5560

Tests verified by independent laboratories. Actual roof performance specifications will vary depending on test speed and temperature. Data reflects samples randomly collected. A ± 10% variation may be experienced. The above data supersedes all previously published information. Consult your Garland Regional Technical Manager or the Garland Technical Department for more information.

© 2011 The Garland Company UK, Ltd.

R-MER CLAD SYS 0312